

2ch input , 2ch output high-end data interface



PM 6682 is a high-end data interface specially designed for sound test. 2ch input for conditioning microphones, artificial ears, accelerometers and other sensors.

2ch output, you can choose direct line output or output after connecting to power amplifier.

The product has abundant channel resources and excellent indicators, which can meet the RD testing of consumer product.

General Specification

parameters	
Input channels	2
Output channels	2
Control	USB
Dimension (mm)	440*350*88
Connection type	BNC, CANNON
Trigger connection type	SMB
Working temperature	-20°C~50°C

Key features

- 2ch input, 2ch output
- Differential signal and pseudo differential signal are the freedom to choose
- Supports internal trigger and external trigger
- Position high quality acoustic test performance

AI specifications

AI parameters	
ADC precision	24 Bit
ADC type	$\Delta - \Sigma$
Sample rate range	1kHz~192kHz
FIFO	1024
Mode of data transmission	DMA
Input range	+/- 230Vp
Gain error	+/- 0.01dB
Input impedance	Unbalance: 300ohm , 600ohm , 100kohm Balance: 300ohm , 600ohm , 200kohm
Flatness	20Hz~20kHz, 192kS/s, DC coupling, < +/- 0.004dB 10Hz~80kHz, 192kS/s, DC coupling, < +/- 0.08dB

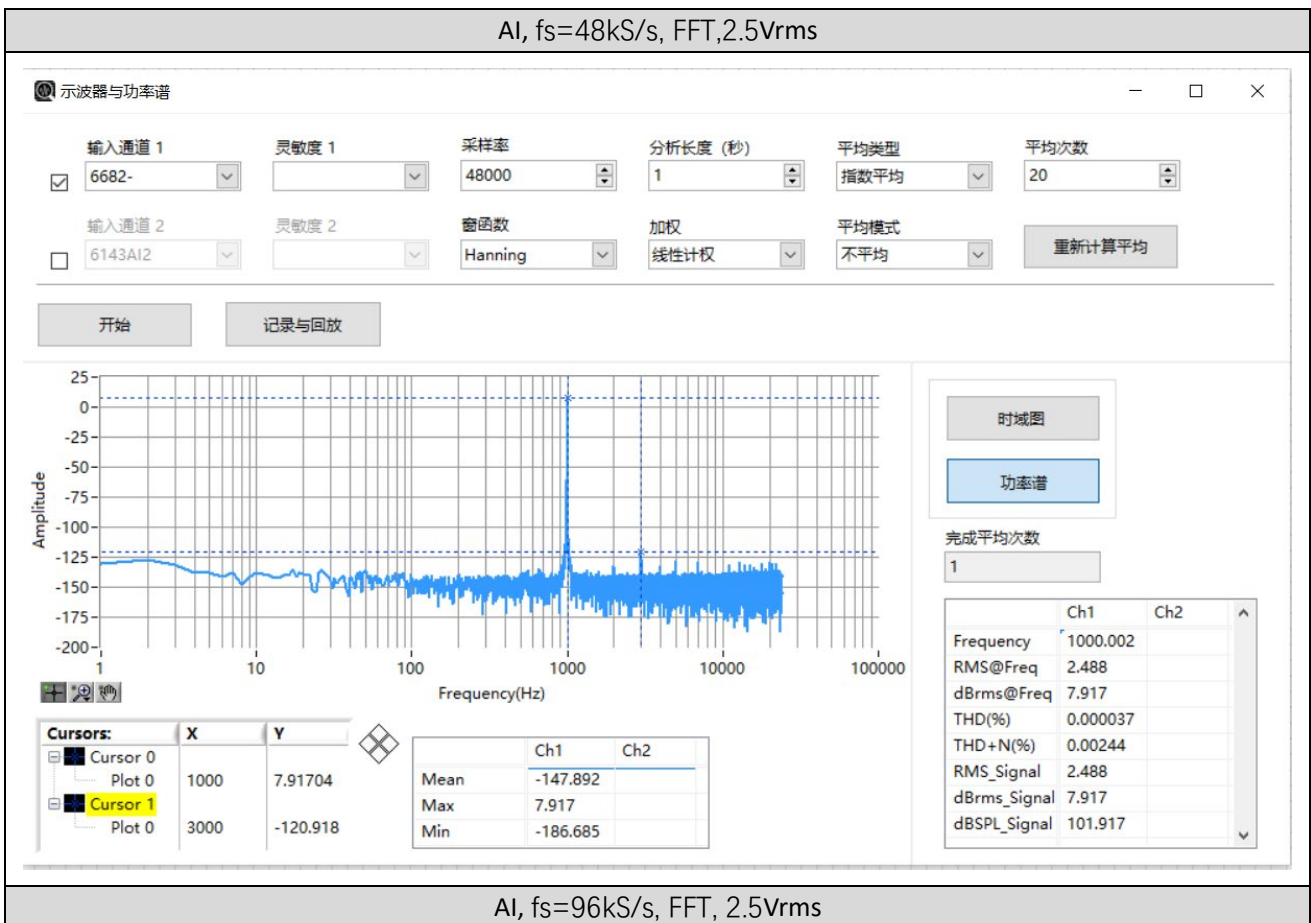
AI Idle noise (uVrms)			
Sample rate	fs=48kS/s	fs=96kS/s	fs=192kS/s
Typical Value	1.3	1.6	2.5
Ps: [1] Short circuit source impedance < 50 ohm, Working temperature 23 ± 5°C [2] AC coupling			

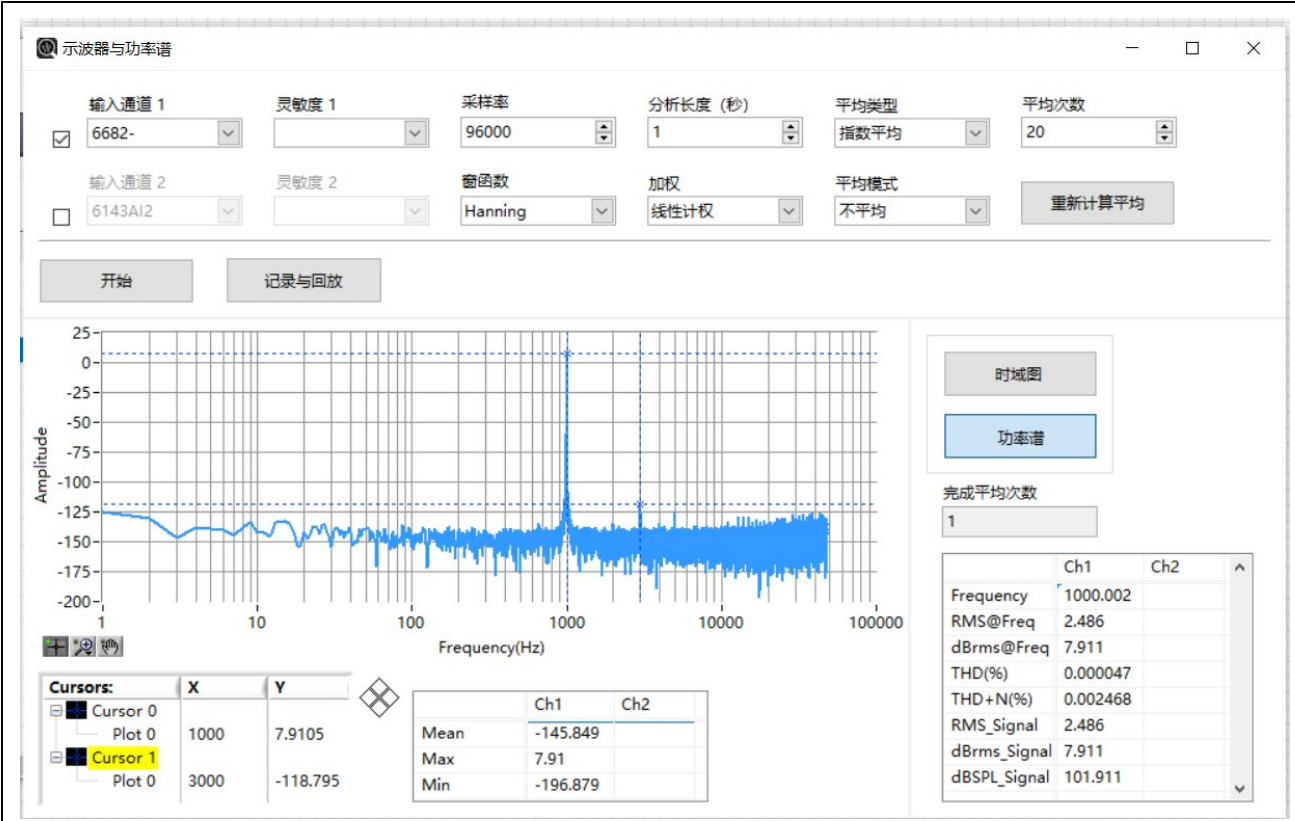
AI SNR (dB)			
Sample rate	fs=48kS/s	fs=96kS/s	fs=192kS/s
Typical Value	125	122	119

PS: [1] Differential input, AC coupling, input signal 1kHz sine wave, 2.5Vrms, output impedance 40ohm, Input impedance 200kohm
 [2] Bandwidth, 22,4K、45K、90K
 [3] AC coupling

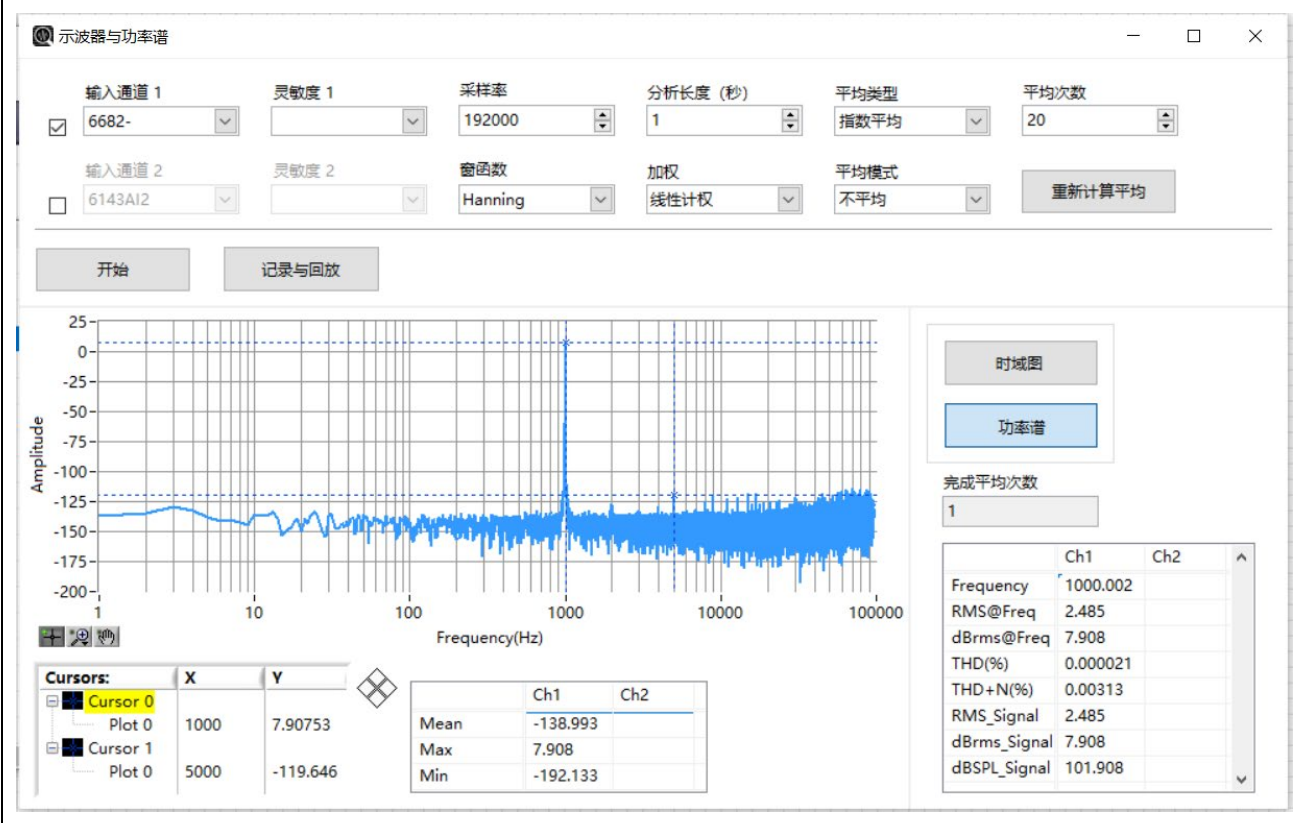
AI dynamic range (dB)			
Sample rate	fs=48kS/s	fs=96kS/s	fs=192kS/s
Typical Value	128	126	126

PS: [1] Differential input, AC coupling, input signal 1kHz sine wave, 2.5Vrms, output impedance 40ohm, Input impedance 200kohm
 [2] Bandwidth, 22,4K、45K、90K
 [3] Linear Weighting
 [4] Hanning window
 [5] AC coupling





AI, fs=192kS/s, FFT, 2.5Vrms



AI THD+N (dB)

Sample rate	fs=48kS/s	fs=96kS/s	fs=192kS/s
Typical Value	-110	-105	-100

PS: [1] Differential input, AC coupling, input signal 1kHz sine wave, 2.5Vrms, output impedance 40ohm, Input impedance 200kohm
 [2] Bandwidth, 22,4K、45K、90K
 [3] AC coupling

AI Cross talk (dB)			
Sample rate	fs=48kS/s	fs=96kS/s	fs=192kS/s
Typical Value	-138	-136	131

PS: [1] Differential input, AC coupling, input signal 1kHz sine wave, 2.5Vrms, output impedance 40ohm, Input impedance 200kohm
 [2] Bandwidth, 22,4K、45K、90K
 [3] AC coupling

AO specifications

AO parameters	
DAC precision	24 Bit
Sample rate	1kHz~192kHz
Output range	+/- 10.7Vrms (Unbalance), +/- 21.4Vrms (balance)
Gain error	+/- 0.01dB
Output impedance	Unbalance: 20ohm, 50ohm, 75ohm, 100ohm, 600ohm Balance: 40ohm, 100ohm, 150ohm, 200ohm, 600ohm
Maximum output power of external resistor	4ohm, 1.56w ; 8ohm, 1.125w
Flatness	20Hz~20kHz, 192kS/s, DC coupling, < +/- 0.004dB 10Hz~80KHz, 192kS/s, DC coupling, < +/- 0.08dB

AO Idle noise (uVrms)			
Sample rate	fs=48kS/s	fs=96kS/s	fs=192kS/s
Typical Value	1.3	1.7	2.5

PS: [1] Acquisition equipment impedance > 1Mohm, Working temperature 23 ± 5°C
 [2] AC coupling

AO SNR (dB)			
Sample rate	fs=48kS/s	fs=96kS/s	fs=192kS/s
Typical Value	125	122	119

PS: [1] Differential output, AC coupling, output signal 1kHz sine wave, 2.5Vrms, output impedance 40ohm, Input impedance 200kohm
 [2] Bandwidth, 22,4K、45K、90K
 [3] AC coupling

AO dynamic range (dB)			
Sample rate	fs=48kS/s	fs=96kS/s	fs=192kS/s
Typical Value	120	117	115

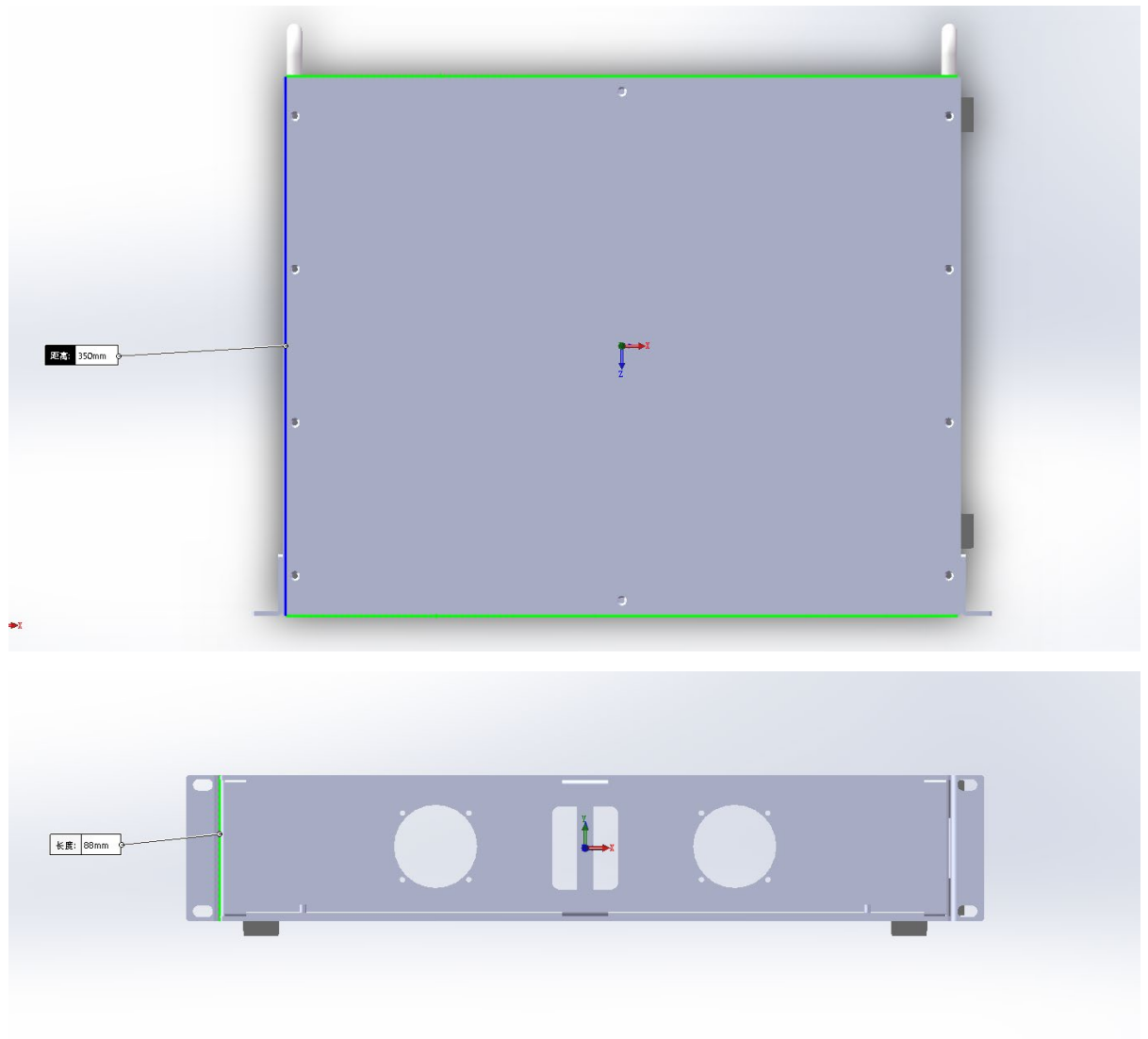
PS: [1] Differential output, AC coupling, output signal 1kHz sine wave, 2.5Vrms, output impedance 40ohm, Input impedance 200kohm
 [2] Bandwidth, 22,4K、45K、90K
 [3] AC coupling

impedance 200kohm [2] Bandwidth, 22,4K、 45K、 90K [3] AC coupling
--

AO THD+N (dB)			
Sample rate	fs=48kS/s	fs=96kS/s	fs=192kS/s
Typical Value	-108	-105	-97
PS: [1] Differential output, AC coupling, output signal 1kHz sine wave, 2.5Vrms, output impedance 40ohm, Input impedance 200kohm [2] Bandwidth, 22,4K、 45K、 90K [3] AC coupling			

AO Cross talk (dB)			
Sample rate	fs=48kS/s	fs=96kS/s	fs=192kS/s
Typical Value	-128	-128	-128
PS: [1] Differential output, AC coupling, output signal 1kHz sine wave, 2.5Vrms, output impedance 40ohm, Input impedance 200kohm [2] Bandwidth, 22,4K、 45K、 90K [3] AC coupling			

Unit



MegaSig reserves the right to change specifications and accessories without notice.



www.megasig.com

MegaSig Measurement & Control Technology Co.,Ltd

Tel: +86.0755-8950.8393

Fax: +860755-8950.8392

Sale mail: sale@megasig.com

Support mail: support@megasig.com

Address: Room 1002, Unit 2, Building 1, Hongxing Chuangzhi Plaza, Guangming District, Shenzhen,China